

SYSTEM FEATURES



- Providing the highest level of protection with the lowest let-through voltage in the industry
- Fail-Safe Design
- Optional Component Level Fusing
- Single pulse tested at independent 3rd party lab
- Form C dry relay contacts and audible alarm with silence button
- Two suppression technologies: MOV and all mode Enhanced Transient Filter
- UL 1283 Tracking Filter
- Ultra, Compact Footprint – efficiency and performance
- 30-Year Unlimited Free Replacement Warranty
- Weatherproof Nema 4 steel enclosure

PRODUCT SPECIFICATIONS

GENERAL SPECIFICATIONS

Maximum Rated Surge Current: 80kA per phase; 40kA per mode
Application: ANSI/IEEE C62.41 Location C, B & A. Ideal for distribution panels, branch panels and critical loads
Design: Optimum performing parallel hybrid with component level fusing
Warranty: 30-Year Unlimited Free Replacement
Safety Listing: UL 1449 3rd Ed., Type 1 for Type 1 & Type 2 locations and UL 1283

ELECTRICAL SPECIFICATIONS

Modes of Protection: All Modes. L-N, L-L, L-G, & N-G
Input Power Frequency: 40-440Hz (47-64 Hz with enhanced filter option)
Response Time: < 1 nanosecond
Standard Monitoring: Status indicator lights (one per phase & one service LED); Form C dry relay contacts for suppressor status; Audible alarm with silence button
Short Circuit Current Rating: 200 kAIC on all units.
 No upstream over-current protection required on CLF unit.
 Non CLF units require 60A Max fuse or breaker.

MECHANICAL SPECIFICATIONS

Dimensions (approx.): 8”H x 6”W x 6”D
 (210 mm H x 160 mm W x 160 mm D)
Enclosure: Steel. Weather-proof. NEMA 4 (IP 56)
Connection: Pre-wired with 36” (915 mm) of #10 AWG (5.26 mm²) conductor
Mounting: Multi-point mounting feet
Operating Environment: -40° C to 70° C (-40° F to 160° F)
 5% to 95% non-condensing humidity
Weight: 12 lbs. (5.4 kg)

AVAILABLE CONFIGURATIONS

Model Number	Description
TK-ST080-1P120	120VAC, 1Ø 2-wire + grd
TK-ST080-1P240	240VAC, 1Ø 2-wire + grd
TK-ST080-1S240	120/240VAC, 1Ø SPLIT-PHASE, 3-wire + grd
TK-ST080-3Y208	120/208VAC, 3Ø WYE, 4-wire + grd
TK-ST080-3Y380	220/380VAC, 3Ø WYE, 4-wire + grd
TK-ST080-3Y415	240/415VAC, 3Ø WYE, 4-wire + grd
TK-ST080-3Y480	277/480VAC, 3Ø WYE, 4-wire + grd
TK-ST080-3Y600	347/600VAC, 3Ø WYE, 4-wire + grd
TK-ST080-3D240	120/240VAC, 3Ø high-leg DELTA, 4-wire + grd (B phase must be 208V)
TK-ST080-240NN	240VAC, 3Ø DELTA, 3-wire + grd
TK-ST080-380NN	380VAC, 3Ø DELTA, 3 wire + grd
TK-ST080-480NN	480VAC, 3Ø DELTA, 3-wire + grd
TK-ST080-600NN	600VAC, 3Ø DELTA, 3-wire + grd

AVAILABLE OPTIONS

Order as a Suffix Example: TK-ST080-3Y208-FL

- Enhanced Transient Filter (ETF): add suffix “-F”
- Component Level Fusing (CLF): add suffix “-L”
- Surge Counter: add suffix “-B”
- NEMA 4X Stainless Steel Enclosure: add suffix “-XX”

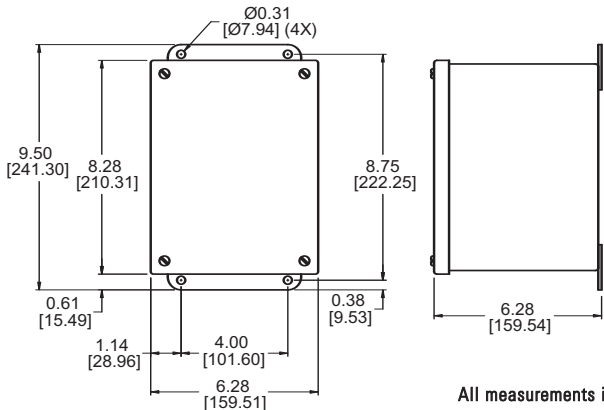
Order as a Separate Item (30 Year Warranty)

- Fused Disconnect Switch: DF-200KAIC-60A-3/4
- Non-Fused Disconnect Switch: DN-200KAIC-60A-3/4

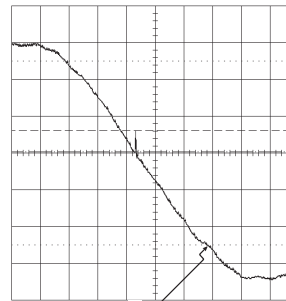
EMI / RFI FILTER ATTENUATION – MIL STANDARD 220B

Frequency	Attenuation
1kHz	2 dB
10kHz	17 dB
100kHz	40 dB
1MHz	18 dB
10MHz	6 dB
100MHz	1 dB
Max. Attenuation Frequency	41 dB @ 106 kHz





All measurements in inches [mm]



Peak Let-Through Voltage Level - 26V
Reference Level Zero Crossing of AC Sine Wave

For 120/208V Configuration

ANSI/IEEE C62.41.1
Category A1 Ring Wave
2000V, 67A Test Plot

L-N Mode, Dynamic,
180° Phase Angle,
6" Leads, Positive Polarity
1 msec/div Horizontal
45V/div Vertical

Model Number	System Voltage	System Configuration	Protection Mode	MCOV	ANSI/IEEE C62.41.1-2002, C62.41.2-2002, & C62.45-2002 Measured Limited Voltage			UL Voltage Ratings		
					ETF Models		All Models	All Models	UL 1449 2 nd Edition/ UL 1449 3 rd Edition	
					A1 Ring Wave 2kV, 67A 180° Phase Angle	B3/C1 Impulse Wave 6kV, 3kA 90° Phase Angle	C3 Impulse Wave 20kV, 10kA 90° Phase Angle	Voltage Protection Ratings		
TK-ST080-1P120	120V	1-Phase 2-wire+grnd	L-N	150V	40V	624V	960V	400/700		
			L-G	150V	76V	636V	1010V	400/700		
			N-G	150V	54V	624V	860V	400/700		
TK-ST080-1P240	240V	1-Phase 2-wire+grnd	L-N	320V	42V	998V	1437V	800/1000		
			L-G	320V	61V	998V	1523V	800/1000		
			N-G	320V	50V	990V	1340V	800/1000		
TK-ST080-1S240	120/240V	1-Phase 3-wire+grnd	L-N	150V	40V	624V	960V	400/700		
			L-G	150V	76V	636V	1010V	400/700		
			L-L	300V	46V	970V	1310V	800/1000		
			N-G	150V	54V	624V	860V	400/700		
TK-ST080-3Y208	120/208V	3-Phase WYE 4-wire+grnd	L-N	150V	40V	624V	960V	400/700		
			L-G	150V	76V	636V	1010V	400/700		
			L-L	300V	46V	970V	1310V	800/1000		
			N-G	150V	54V	624V	860V	400/700		
TK-ST080-3Y380	220/380V	3-Phase WYE 4-wire+grnd	L-N	320V	42V	990V	1437V	800/1000		
			L-G	320V	61V	998V	1523V	800/1000		
			L-L	640V	60V	1795V	2190V	1500/1800		
			N-G	320V	50V	987V	1340V	800/1000		
TK-ST080-3Y415	240/415V	3-Phase WYE 4-wire+grnd	L-N	320V	42V	990V	1437V	800/1000		
			L-G	320V	61V	998V	1523V	800/1000		
			L-L	640V	60V	1795V	2190V	1500/1800		
			N-G	320V	50V	987V	1340V	800/1000		
TK-ST080-3Y480	277/480V	3-Phase WYE 4-wire+grnd	L-N	320V	42V	990V	1437V	800/1000		
			L-G	320V	61V	998V	1523V	800/1000		
			L-L	640V	60V	1795V	2190V	1500/1800		
			N-G	320V	50V	987V	1340V	800/1000		
TK-ST080-3Y600	347/600V	3-Phase WYE 4-wire+grnd	L-N	420V	56V	1179V	1710V	1200/1200		
			L-G	420V	99V	1167V	1783V	1200/1200		
			L-L	720V	76V	2280V	2893V	2000/2500		
			N-G	420V	88V	1190V	1610V	1200/1200		
TK-ST080-3D240	120/240V	3-Phase high-leg DELTA 4-wire+grnd	L-N	150V	40V	630V	960V	400/700		
			H-N	320V	42V	990V	1437V	800/1000		
			L-G	150V	76V	631V	1010V	400/1000		
			H-G	320V	61V	992V	1523V	800/1000		
			L-L	320V	46V	970V	1310V	800/1000		
			H-L	470V	46V	1439V	1640V	1500/1500		
TK-ST080-240NN	240V	3-Phase DELTA 3-wire+grnd	L-G	320V	565V	996V	1150V	800/1000		
			L-L	320V	31V	998V	1303V	800/1000		
TK-ST080-380NN	380V	3-Phase DELTA 3-wire+grnd	L-G	550V	912V	1577V	1870V	1500/1800		
			L-L	550V	39V	1595V	1950V	1500/1800		
TK-ST080-480NN	480V	3-Phase DELTA 3-wire+grnd	L-G	550V	912V	1577V	1870V	1500/1800		
			L-L	550V	39V	1595V	1950V	1500/1800		
TK-ST080-600NN	600V	3-Phase DELTA 3-wire+grnd	L-G	750V	1253V	2213V	2420V	2000/2500		
			L-L	750V	36V	2213V	2410V	2000/2500		

ETF = Enhanced Transient Filter (-F suffix). All tests performed with 6" (152 mm) lead length, positive polarity.
All voltages are peak values (±10%) measured from the zero reference point at the phase angles referenced above using a 10 µs/div display rate and 500 Mega samples/sec sampling rate.
Specifications subject to change without notice. See web site www.TPSSurge.com for latest revisions.